

Current clamps, 4 probes

111.7035

► 4 current clamps for PQ-Box, current range to 50A



1. Use

These current clamps are designed for the measurement of current up to 200 A in low voltage systems. It is also possible to use them in secondary circuit of current transformers in medium voltage systems.

2. Electrical Characteristics

Rated current I_N	:	4 x 50A AC_{RMS}
Measurement range	:	1 – 60A $_{RMS}$
Output	:	10mV/A
Impedance	:	$\geq 10k\Omega$
Influence of conductor positioning	:	< 0.5% @ 50/60Hz
Field shield (at 50Hz)	:	66:1
Frequency range	:	40 Hz to 5 kHz
Temperature coefficient	:	0.01% / °C
Permissible voltage	:	600 V AC_{RMS} or DC

3. Accuracy

Range	50 A		
	1 to 5A	5 to 10 A	10 to 60 A
Primary current	± 2%	± 1,5%	± 1%
Accuracy (%)	± 2%	± 1,5%	± 1%
Angle error (typ.)	Not defined	<4°	<3°

4. General Properties

Max. conductor cross-section	:	diameter 15 mm, bar 15 x 17mm
Connection	:	Cable with Amphenol plug C01630H00611012
Identification resistance	:	0 Ohm (Bridge Pin 6 to 5)
Cable length	:	2 m
Operation temperature	:	-10 to +55 °C
Storage temperature	:	-20 to +70 °C
Humidity, in operation	:	15% to 85% (no condensate)
Weight	:	860g

Reference conditions: Temperature: +18° C to 26° C, Humidity: 20 to 75% RH, sinus current: 48 to 65Hz, Distortion factor: < 1%, DC current: no, DC magnetic field: 40 A/m Earth's magnetic field, Alternative magnetic field: no, Proximity to external conductor: no, Cable set-up: centralized, Impedance: >=10 kΩ, <100 pF, for voltage output.

5. Connection

Pin 1	L1 (+)	Black	Pin 5	L1, L2, L3, N (-)	Red
Pin 2	L2 (+)	Black	Pin 6	Bridge to Pin 5 & Pin 7	
Pin 3	L3 (+)	Black	Pin 7	Shielding	
Pin 4	(N) (+)	Black			

6. Safety Standard

EN61010-1: 1993 and correction A2: July 1995

EN61010-2-032: 1995

EN61010-2-031: 1995

30 V SELV

The usage of these current clamps at uninsulated conductors is limited to voltages of max 30 V.

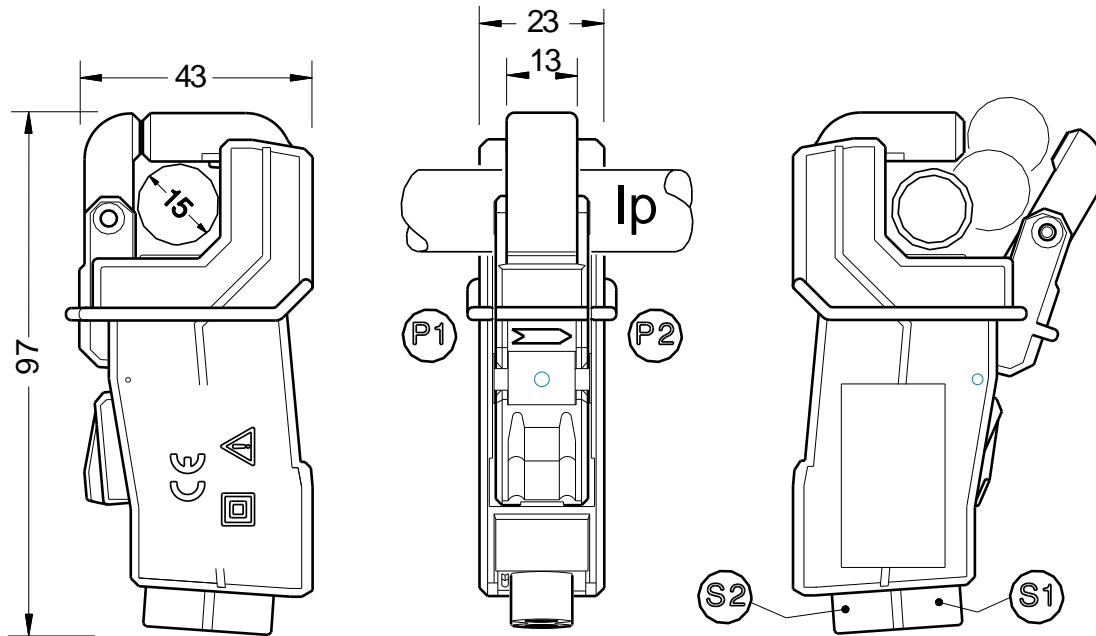
For usage in „Safe Extra Low Voltage“ systems only.

7. EMC Standards

EN 61326 :1998

8. Dimensions

in mm



We take care of it.

9. Ordering Information

FEATURE	ORDER CODE
Current clamps, 4 probes ● Current clamps, 4 probes, 0...50A	111.7035

A. Eberle GmbH & Co. KG

Frankenstraße 160
D-90461 Nürnberg

Tel.: +49 (0) 911 / 62 81 08-0
Fax: +49 (0) 911 / 62 81 08 96
E-Mail: info@a-eberle.de

<http://www.a-eberle.de>

Version: 11/6/2017 1:38 PM

Copyright 2013 by A. Eberle GmbH & Co. KG
Subject to change without notice.