

Rogowski coil (1 piece)

111.7046

► Rogowski coil (1 piece)



1. Use

These Rogowski coils are designed for the measurement of current up to 6000A in low voltage systems. Measurements in medium voltage systems with insulated conductors are also possible.

2. Electrical Properties

Rated current I_N	:	1 x 6000A AC _{RMS}
Measurement range	:	1 - 6000A _{RMS}
Load Impedance	:	≥ 10kΩ
Output (at 50 Hz)	:	42.5mV / 1000A (at 10kΩ) 50mV / 1000A (at 1MΩ)
Internal resistance	:	237Ω, ± 23 Ω
Influence of conductor positioning	:	± 2%
Accuracy (at 25°C, 50Hz)	:	± 0.5%
Linearity (10...100% of measurement range)	:	± 0.2%
Influence of el. field (distance > 10cm)	:	± 0.25%
Repeat accuracy	:	± 0.5%
Proximity error	:	≤ 15mA / A @ 50Hz
Angle error at 45...65Hz	:	± 1°
Frequency range	:	10Hz to 20kHz
Temperature coefficient	:	0.05% / °C
Permissible voltage	:	1000 V AC _{RMS} , CAT III

3. General Properties

Coil length, diameter	:	910mm, 291mm
Coil body diameter	:	9.9mm
Coil material	:	Alcryn 2070 NC, LATENE 7H2W V0
Cable length	:	2 m
Operation temperature	:	-20 to +80 °C
Storage temperature	:	-40 to +90 °C
Humidity, in operation	:	15% to 85% (no condensate)
Protection class	:	IP65
Weight	:	250g

4. Connection

Red	+
Black	-
Shielding	

5. Safety Standard

EN 61010-1: 2001

EN 61010-031: 2002

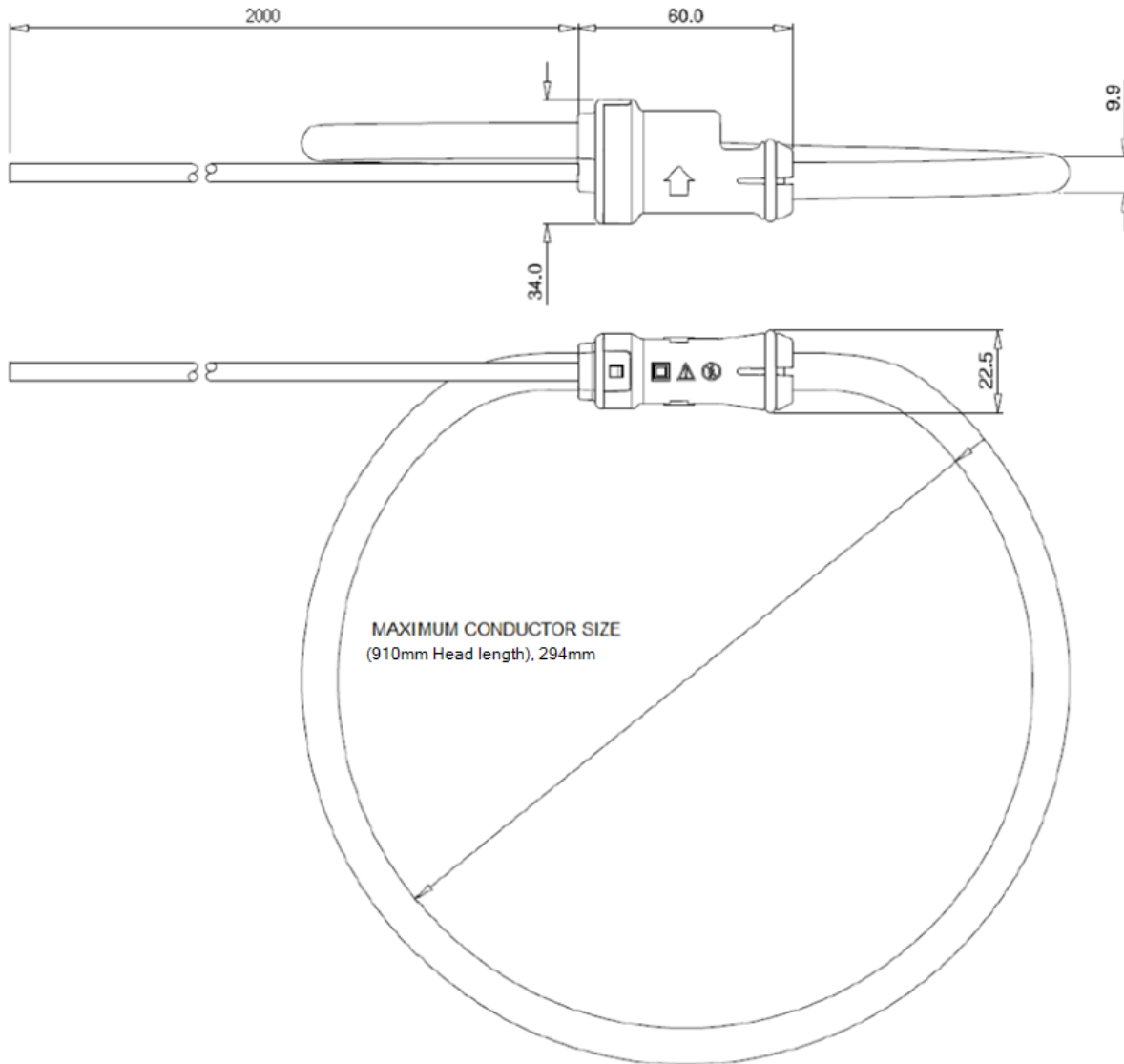
EN 61010-2-032: 2002

1000 V_{RMS}, CAT III

600 V_{RMS}, CAT IV

The usage of these Rogowski coils at uninsulated conductors is limited to voltages of max 1000 V AC_{RMS} and frequencies to 1 kHz.

6. Dimensions



We take care of it.

7. Ordering Information

FEATURE	ORDER CODE
Rogowski coil (1 piece) ● Rogowski coil (1 piece), 1...6000A, Cable length 2m	111.7046

A. Eberle GmbH & Co. KG

Frankenstraße 160
D-90461 Nürnberg

Tel.: +49 (0) 911 / 62 81 08-0
Fax: +49 (0) 911 / 62 81 08 96
E-Mail: info@a-eberle.de

<http://www.a-eberle.de>

Version: 4/16/2019 10:35 AM

Copyright 2013 by A. Eberle GmbH & Co. KG
Subject to change without notice.