

Current clamp (one piece)

111.7096

- ▶ **Current clamp for secondary measurements with PQI-DE and PQI-DA smart in the range 0... 50 A with feature C44**
- ▶ **For use in protection circuit with 10x over-current**



1. Use

The 111.7096 current probe has been designed for use with PQI-DA smart as well as PQI-DE power quality analyzers for accurate non-intrusive measurement of AC current. Using the latest transformer technology, the 111.7096 can measure currents from 50 mA to 50 A over a frequency range of 40 Hz to 20 kHz.

2. Electrical Characteristics

| | |
|--|----------------------|
| Nominal current I _N | : 5 A AC RMS |
| Measuring Range | : 50 mA to 50 A RMS |
| Output Sensitivity | : 10 mV/A |
| Load Impedance | : > 1 MOhm |
| Conductor Position Sensitivity | : <0.5% @ 50/60 Hz |
| Error due to adjacent conductor | : ≤15 mA/A @ 50 Hz |
| Frequency Range | : 40 Hz to 20 kHz 1) |
| Temperature Coefficient | : 0.015%/°C |
| Working Voltage (see Safety Standards section) | : 600 V AC RMS or DC |

3. Accuracy

| Range | 50 A | | |
|--------------------|----------------|--------------|------------|
| | 50mA bis 500mA | 500mA bis 1A | 1A bis 50A |
| Primary current | 50mA bis 500mA | 500mA bis 1A | 1A bis 50A |
| Accuracy (%) | ± 2% | ± 1% | ± 1% |
| Angle error (typ.) | ± 2° | ± 2° | ± 1.5° |

4. General characteristics

| | |
|--------------------------------|-------------------------------|
| Max. conductor cross-section : | Diameter 15 mm, bar 15 x 17mm |
| Connection : | 10 m un-terminated |
| Operation temperature : | -10 to +55 °C |
| Storage temperature : | -20 to +70 °C |
| Humidity, in operation : | 15% to 85% (no condensate) |
| Weight : | 180g |

We take care of it.

Reference conditions: Temperature: +18°C to 26 °C, humidity: 20 to 75% RH, sinusoidal current: 48 to 65 Hz, distortion factor: <1%, DC current: none, DC magnetic field: 40 A/m earth's magnetic field, alternative magnetic field: none, proximity of external conductor: none, primary conductor: centred in the aperture, load impedance: $\geq 1 \text{ M}\Omega$, <100 pF for voltage output.

1) **Additional error of 1% at 20 kHz!**

5. Connection

| Colour | Function |
|------------|-----------|
| White (S1) | Output + |
| Blue (S2) | Output - |
| Shielding | Shielding |

6. Safety Standard

EN 61010-1: 1993 and Amendment A2: July 1995

EN 61010-2-032: 1995

EN 61010-2-031: 1995

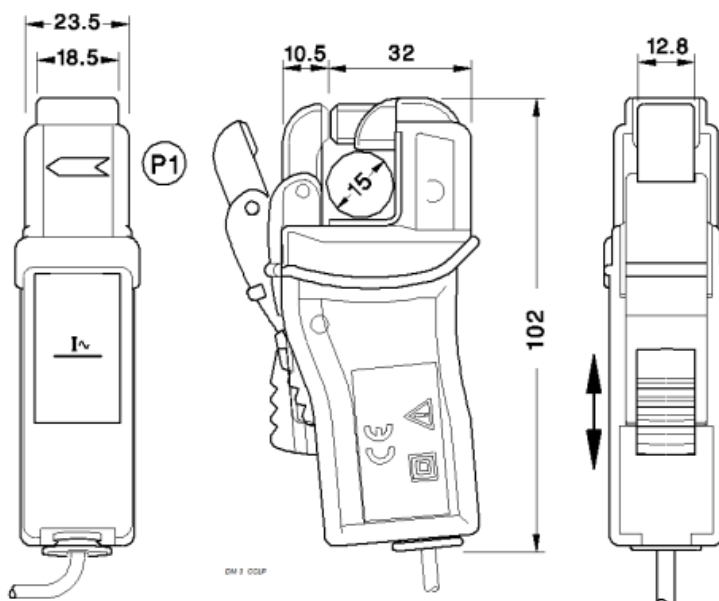
600 V RMS , Category III, Pollution Degree 2

Use of the probe on uninsulated conductors is limited to 600 V AC RMS or DC and frequencies below 1 kHz.

7. EMC Standards

EN 61326:1998

8. Dimensions (in mm)



9. Ordering Information

| FEATURE | ORDER CODE |
|--|-----------------|
| Current clamp for C44 high accurate for secondary measurement circuits ● 0...50A; 10mV/A; 40Hz..20kHz; 10m connection cable; one piece | 111.7096 |

A. Eberle GmbH & Co. KG

Frankenstraße 160
D-90461 Nürnberg

Tel.: +49 (0) 911 / 62 81 08-0
Fax: +49 (0) 911 / 62 81 08 96
E-Mail: info@a-eberle.de

<http://www.a-eberle.de>

Version: 1/26/2021 8:37 AM

Copyright 2020 by A. Eberle GmbH & Co. KG

Subject to change without notice.