

Current clamp (one piece)

111.7095

- ▶ **Current clamp for secondary measurements with PQI-DE and PQI-DA smart in the range 0... 5 A with feature C44**

1. Use

The 111.7095 current probe has been designed for use with PQI-DA smart as well as PQI-DE power quality analyzers for accurate non-intrusive measurement of AC current. Using the latest transformer technology, the 111.7095 can measure currents from 5 mA to 5 A over a frequency range of 40 Hz to 20 kHz.



2. Electrical Characteristics

Current Range I _N	: 5 A AC RMS
Measuring Range	: 10 mA to 5 A RMS
Output Sensitivity	: 100 mV/A
Load Impedance	: > 1 MΩ
Conductor Position Sensitivity	: <0.5% @ 50/60 Hz
Error due to adjacent conductor	: ≤15 mA/A @ 50 Hz
Frequency Range	: 40 Hz to 20 kHz 1)
Temperature Coefficient	: 0.015%/°C
Working Voltage (see Safety Standards section)	: 600 V AC RMS or DC

3. Accuracy

Range	5 A		
	5mA	500mA	5A
Primary current	5mA	500mA	5A
Accuracy (%)	± 2%	± 1%	± 0,5%
Angle error (typ.)	± 2°	± 1°	± 1°

4. General characteristics

Max. conductor cross-section :	Diameter 15 mm, bar 15 x 17mm
Connection :	10 m un-terminated
Operation temperature :	-10 to +55 °C
Storage temperature :	-20 to +70 °C
Humidity, in operation :	15% to 85% (no condensate)
Weight :	180g

Reference conditions: Temperature: +18°C to 26 °C, humidity: 20 to 75% RH, sinusoidal current: 48 to 65 Hz, distortion factor: <1%, DC current: none, DC magnetic field: 40 A/m earth's magnetic field, alternative magnetic field: none, proximity of external conductor: none, primary conductor: centred in the aperture, load impedance: ≥1 MΩ, <100 pF for voltage output.

1) Additional error of 1% at 20 kHz!

We take care of it.

5. Connection

Colour	Function
White (S1)	Output +
Blue (S2)	Output -
Shielding	Shielding

6. Safety Standard

EN 61010-1: 1993 and Amendment A2: July 1995

EN 61010-2-032: 1995

EN 61010-2-031: 1995

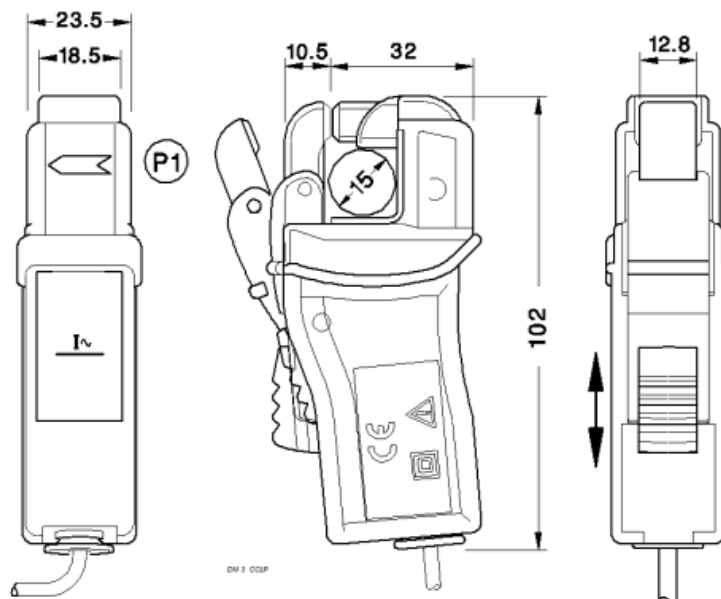
600 V RMS , Category III, Pollution Degree 2

Use of the probe on uninsulated conductors is limited to 600 V AC RMS or DC and frequencies below 1 kHz.

7. EMC Standards

EN 61326:1998

8. Dimensions (in mm)



9. Ordering Information

FEATURE	ORDER CODE
Current clamp for C44 high accurate for secondary measurement circuits ● 0...5A; 100mV/A; 40Hz..20kHz; 10m connection cable; one piece	111.7095

A. Eberle GmbH & Co. KG

Frankenstraße 160
D-90461 Nürnberg

Tel.: +49 (0) 911 / 62 81 08-0
Fax: +49 (0) 911 / 62 81 08 96
E-Mail: info@a-eberle.de

<http://www.a-eberle.de>

Version: 3/9/2020 4:51 PM

Copyright 2020 by A. Eberle GmbH & Co. KG

Subject to change without notice.