

Rogowski coil

111.7087

► Rogowski coil (single)



1. Use

This Rogowski coil is designed for the measurement of current up to 3000A in low voltage systems. Measurements in medium voltage systems with insulated conductors are also possible.

2. Electrical Properties

Rated current I_N	:	1 x 3000 A _{RMS}
Measurement range	:	1 - 3000 A _{RMS}
Load Impedance	:	≥ 1 MΩ
Output (at 50 Hz)	:	85mV / 1000A
Internal resistance	:	157Ω, ± 15 Ω
Influence of conductor positioning	:	± 2 %
Accuracy (at 25°C, 50Hz)	:	± 0.5 %
Linearity (10...100% of measurement range)	:	± 0.2 %
Influence el. Field (distance > 10cm)	:	± 0.25 %
Repeat accuracy	:	± 0.5 %
Proximity error	:	≤ 15mA / A @ 50Hz
Angle error 45...65Hz	:	± 1°
Frequency range	:	10 Hz to 20 kHz
Temperature coefficient	:	0.05 % / °C
Permissible voltage	:	1000 V AC _{RMS} , CAT III

3. General Properties

Coil length, diameter	:	610mm, 194mm
Coil diameter	:	9.9mm
Coil material	:	Alcryn 2070 NC, LATENE 7H2W V0
Cable length	:	15 m
Operation temperature	:	-20 to +80 °C
Storage temperature	:	-40 to +90 °C
Humidity, in Operation	:	15% to 85% (no condensate)
Protection class	:	IP65
Weight	:	350g

4. Connection

Black	S1 (+)
Red	S2 (-)
Shielding	PE

5. Safety Standard

EN 61010-1: 2001

EN 61010-031: 2002

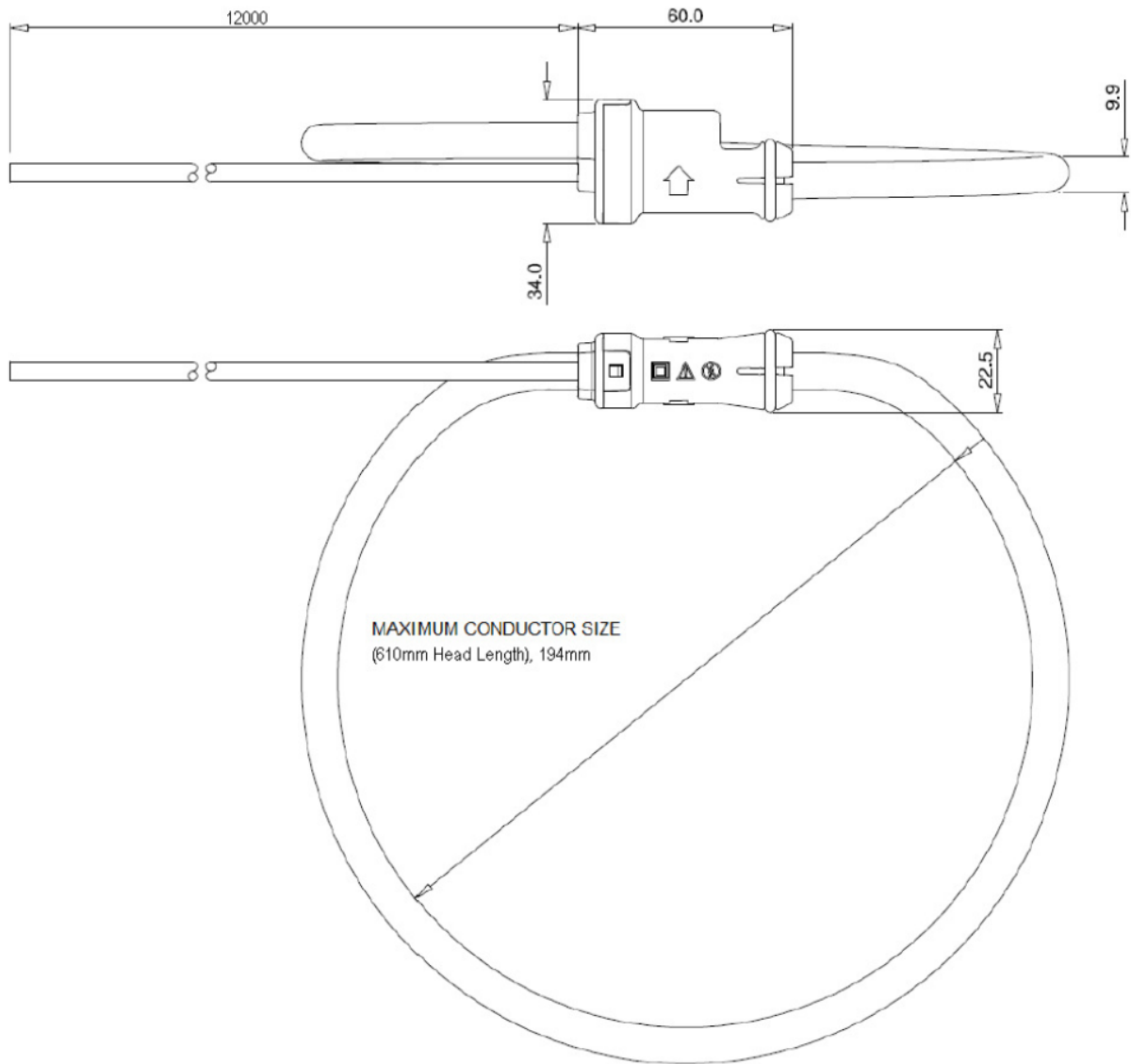
EN 61010-2-032: 2002

1000 V_{RMS}, CAT III

600 V_{RMS}, CAT IV

The usage of this Rogowski coil at uninsulated conductors is limited to voltages of max 1000 V AC_{RMS} and frequencies to 1 kHz.

6. Dimensions



We take care of it.

7. Ordering Information

FEATURE	ORDER CODE
Rogowski coil ● Rogowski coil (one piece), 1...3000A, Cable length 15 m	111.7087

A. Eberle GmbH & Co. KG

Frankenstraße 160
D-90461 Nürnberg

Tel.: +49 (0) 911 / 62 81 08-0
Fax: +49 (0) 911 / 62 81 08 96
E-Mail: info@a-eberle.de

<http://www.a-eberle.de>

Version: 10/6/2020 1:47 PM

Copyright 2013 by A. Eberle GmbH & Co. KG
Subject to change without notice.