

## Rogowski coil

- ▶ Rogowski coil (single)  
Code: 111.7087.02



### 1. Use

This Rogowski coil is designed for the measurement of current up to 4000A in low voltage systems. Measurements in medium voltage systems with insulated conductors are also possible.

### 2. Electrical Properties

Rated current $I_N$ :	1 x 4000 A <sub>RMS</sub>
Measurement range:	1 - 4000 A <sub>RMS</sub>
Load Impedance:	≥ 1 MΩ
Output (at 50Hz):	85mV / 1000 A <sub>RMS</sub>
Internal resistance:	237 Ω, ± 23 Ω
Influence of conductor positioning:	± 2 %
Accuracy (at 25°C, 50Hz):	± 0.5 %
Linearity (10...100% of measurement range):	± 0.2 %
Influence el. Field (distance > 10cm):	± 0.25 %
Repeat accuracy:	± 0.5 %
Angle error 45...65Hz:	± 1°
Frequency range:	10 Hz to 20 kHz
Temperature coefficient:	0.05 % / °C
Permissible voltage:	1000 V AC <sub>RMS</sub> , CAT III

### 3. General Properties

Coil length, diameter:	915mm, 291mm
Coil diameter:	9.9mm
Coil material:	UL94 V-0
Cable length:	15 m
Operation temperature:	-20 to +80 °C
Storage temperature:	-40 to +90 °C
Humidity, in Operation:	15% to 85% (no condensate)
Protection class:	IP65
Weight:	350g

### 4. Connection

Black	S1 (+)
Red	S2 (-)
Shielding	PE

### 5. Safety Standard

EN 61010-1: 2001

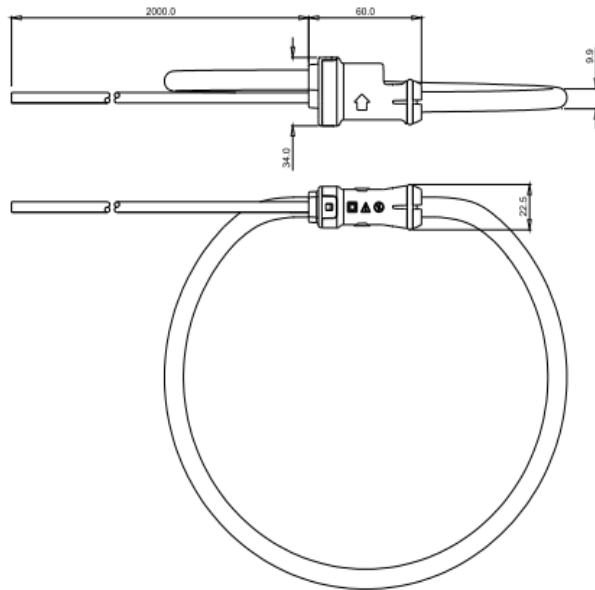
EN 61010-031: 2002

1000 V<sub>RMS</sub>, CAT III

600 V<sub>RMS</sub>, CAT IV

The usage of this Rogowski coil at uninsulated conductors is limited to voltages of max 1000 V AC<sub>RMS</sub> or DC and frequencies to 1 kHz.

## 6. Dimensions



## 7. Ordering Information

FEATURE	ORDER CODE
Rogowski coil	111.7087.02
● Rogowski coil (one piece), 1...4000A, Cable length 15 m	

### A. Eberle GmbH & Co. KG

Frankenstraße 160  
D-90461 Nürnberg

Tel.: +49 (0) 911 / 62 81 08-0  
Fax: +49 (0) 911 / 62 81 08 96  
E-Mail: [info@a-eberle.de](mailto:info@a-eberle.de)

<http://www.a-eberle.de>

Version: 3/11/2021 3:25 PM

Copyright 2013 by A. Eberle GmbH & Co. KG

Subject to change without notice.