

Rogowski coil

- ▶ Rogowski coil (single)
Code: 111.7087.01



1. Use

This Rogowski coil is designed for the measurement of current up to 500A in low voltage systems. Measurements in medium voltage systems with insulated conductors are also possible.

2. Electrical Properties

Rated current I_N :	1 x 500 A _{RMS}
Measurement range:	1 - 500 A _{RMS}
Load Impedance:	≥ 1 MΩ
Output (at 50Hz):	85mV / 1000 A _{RMS}
Internal resistance:	110 Ω, ± 10 Ω
Influence of conductor positioning:	± 2 %
Accuracy (at 25°C, 50Hz):	± 0.5 %
Linearity (10...100% of measurement range):	± 0.2 %
Influence el. Field (distance > 10cm):	± 0.25 %
Repeat accuracy:	± 0.5 %
Angle error 45...65Hz:	± 1°
Frequency range:	10 Hz to 20 kHz
Temperature coefficient:	0.05 % / °C
Permissible voltage:	1000 V AC _{RMS} , CAT III

3. General Properties

Coil length, diameter:	381mm, 121mm
Coil diameter:	9.9mm
Coil material:	UL94 V-0
Cable length:	15 m
Operation temperature:	-20 to +80 °C
Storage temperature:	-40 to +90 °C
Humidity, in Operation:	15% to 85% (no condensate)
Protection class:	IP65
Weight:	350g

4. Connection

Black	S1 (+)
Red	S2 (-)
Shielding	PE

5. Safety Standard

EN 61010-1: 2001

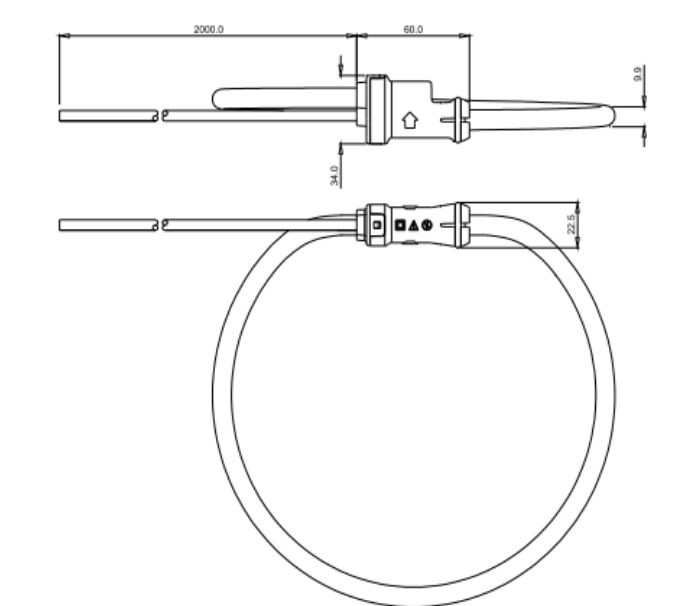
EN 61010-031: 2002

1000 V_{RMS}, CAT III

600 V_{RMS}, CAT IV

The usage of this Rogowski coil at uninsulated conductors is limited to voltages of max 1000 V AC_{RMS} or DC and frequencies to 1 kHz.

6. Dimensions



7. Ordering Information

FEATURE	ORDER CODE
Rogowski coil	111.7087.01
● Rogowski coil (one piece), 1...500A, Cable length 15 m	

A. Eberle GmbH & Co. KG

Frankenstraße 160
D-90461 Nürnberg

Tel.: +49 (0) 911 / 62 81 08-0
Fax: +49 (0) 911 / 62 81 08 96
E-Mail: info@a-eberle.de

<http://www.a-eberle.de>

Version: 3/11/2021 3:24 PM

Copyright 2013 by A. Eberle GmbH & Co. KG
Subject to change without notice.