

System requirements WinPQ Power Quality Software

from WinPQ Version 6

Supported operating systems

- Windows 8 64 Bit*
- Windows 10 64 Bit
- Windows 11*
- Windows Server 2012 (R2)*
- Windows Server 2016 (R2)
- Windows Server 2019

* up to Version 6.2

Supported database systems

- PostgreSQL*
- MySQL V5.X (version is part of license key, see pricelist)
- Maria DB V5.X (version is part of license key, see pricelist)
- MSSQL (version 2012- 2019) **
- ORACLE DB (12 - 19c)**

* PostgreSQL is supported with WinPQ > 6.2

**individual ordering process and licences keys are necessary!

Minimum system requirements

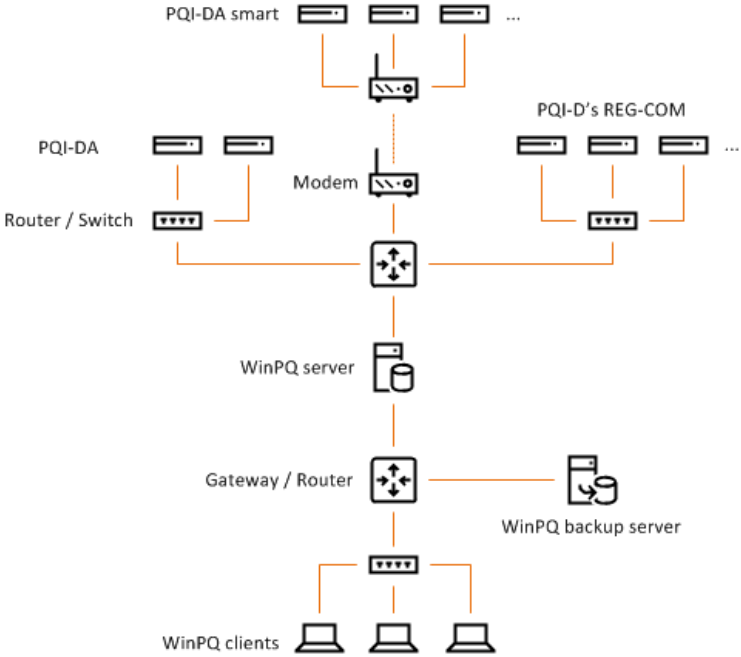
- CPU: 2 cores
- Memory: 8 GB RAM
- Storage: 20 GB for WinPQ installation and additional 1 GB per station per year (using standard profiles)
- Network: Ethernet adapter for communication with TCP/IP PQ devices
- Display: remote desktop connection or display with minimum resolution of 1280x1024 pixels

Recommended system requirements

- Hardware: Server for 24h/365d or virtual system (cost effective)
- CPU: multicore CPU with 4 or more cores
- Memory: 8 GB RAM
- Storage: 20 GB for WinPQ installation and additional 1 GB per station per year (using standard profiles) with redundancy and automatic backup plan
- Database: Solid-State-Disk drive for database
- Network: Ethernet adapter with high bandwidth for communication with TCP/IP PQ devices
- Display: remote desktop connection or display with high resolution (e.g. 1920x1200 pixels)

We take care of it.

Typical system configuration and definition of terms



Required ports

Shares in gateways and firewalls have to be done from column to line (e.g. the release on the server with port 3306 has to be done by the WinPQ client to enable visualizations of measurement data on the client)

	WinPQ -Server	WinPQ - Client	PQI-D (REG-COM)	PQI-DA	PQI-DA smart
WinPQ-Server			8000 (TCP) Communication 1111 parameter settings	1023	5040 or 22
WinPQ-Client	3306 (SQL) 1701...170X*				5040 or 22
PQI-D (REG-COM)					
PQI-DA					
PQI-DA smart					

*Depending on the application and needs the WinPQ Client requires exactly one port per connection to the measuring device PQI-D or PQI-DA. E.g. If two PQI-D's with REG-COM are connected to the WinPQ server via a connection with IP 192.168.100.102 via port 8000, a port e.g. 1701 is required by the WinPQ client.