

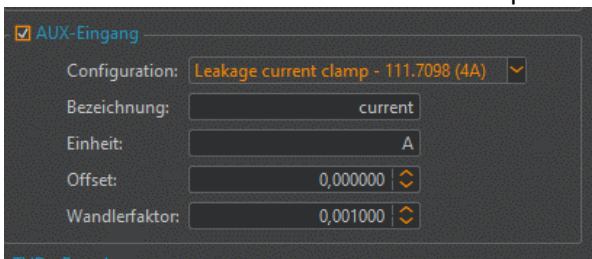
Earth leakage current clamp

- For measuring AC leakage currents or AC residual currents with the AUX input of the PQ-Box 200 and 300



1. Use

For detecting AC leakage currents or AC residual currents with the AUX input of the PQ-Box 200 and 300 The current transformer factor of the PQ-Box is "1" for the 1mV/A(400A) range and "0.001" for the 1A(4A) range. Both variants are available for selection in the software setup.



The adapter cable set for the AUX input included in the standard scope of delivery is required for connection to the PQ box.

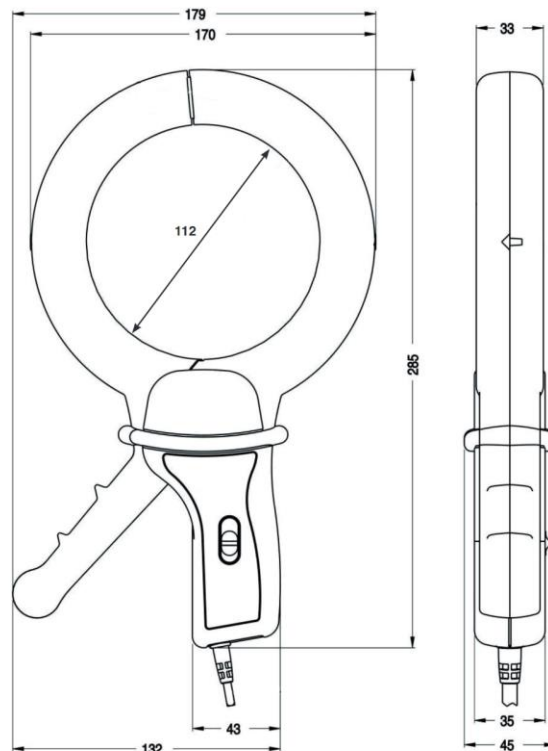
2. Technical data

Current range:	1A/400A AC, umschaltbar
Diameter	112mm
Category:	600V CAT III / 300V CAT IV
Connector:	4mm safety plug
Impedance	>=10MΩ

Measurement range	1A AC – 1mV / mA 400A AC – 1mV / A
-------------------	---------------------------------------

3. Dimensions and Weight

Gewicht in g	1300		
--------------	------	--	--



4. Order code

MERKMAL	IDENT-Nr.
Leakage current clamp for AUX input PQ-Box 200 / 300 ● Measurement range 1A and 400A	111.7098

A. Eberle GmbH & Co. KG

Frankenstraße 160
D-90461 Nürnberg

Tel.: +49 (0) 911 / 62 81 08-0
Fax: +49 (0) 911 / 62 81 08 96
E-Mail: info@a-eberle.de

<http://www.a-eberle.de>

Version: 02.02.2023 09:59

Copyright 2022 by A. Eberle GmbH & Co. KG