

1 phase Rogowski coil

111.7087.05

► **1 phase Rogowski coil**

Application

The 111.7087.05 is a flexible current transformer based on the Rogowski principle, which is particularly suitable for measurements in combination with PQ measuring instruments. The coil is characterized by the length of 2900mm and can be used in all applications where conventional instrument transformers are not suitable due to their size and/or weight.



1. Electrical properties

Rated range I_N :	1 x 3000 A _{RMS}
Measuring range:	1 - 3000 A _{RMS}
Load impedance:	$\geq 1 \text{ M}\Omega$
Output signal (at 50Hz):	100 mV / 1000 A
Influence of conductor positioning:	$\pm 1 \%$ of the measured value
Accuracy (at 25°C, 50Hz):	$\pm 1 \%$ of measured value
Influence of electric fields (distance > 10cm):	$\pm 0.25 \%$ of the measured value
Repeatability:	$\pm 0.5 \%$ of the measured value
Fault due to adjacent conductors:	$\leq 15 \text{ mA} / \text{A} @ 50 \text{ Hz}$
Phase shift at 45...65Hz:	$\pm 1 \text{ degree}$
Frequency range:	40 Hz to 20 kHz
Temperature coefficient:	0,05 % / °C
Permissible voltage (see safety standards):	1000 V AC _{RMS} , , CAT III

2. General properties

Coil length / diameter :	2900 mm, 920 mm
Coil bobbin diameter:	8.3 ±0.2 mm
Coil material:	Thermoplastic polyurethane UL94-V0
Cable length:	15 m
Temperature range, operation:	- 30 to +80 °C
Temperature range, storage:	-40 to +80 °C
Humidity, operation:	15% to 95% (no condensate)
Protection class:	IP67
Weight:	890g

3. Connection

Blue	S1 (+)
white	S2 (-)
Umbrella	PE

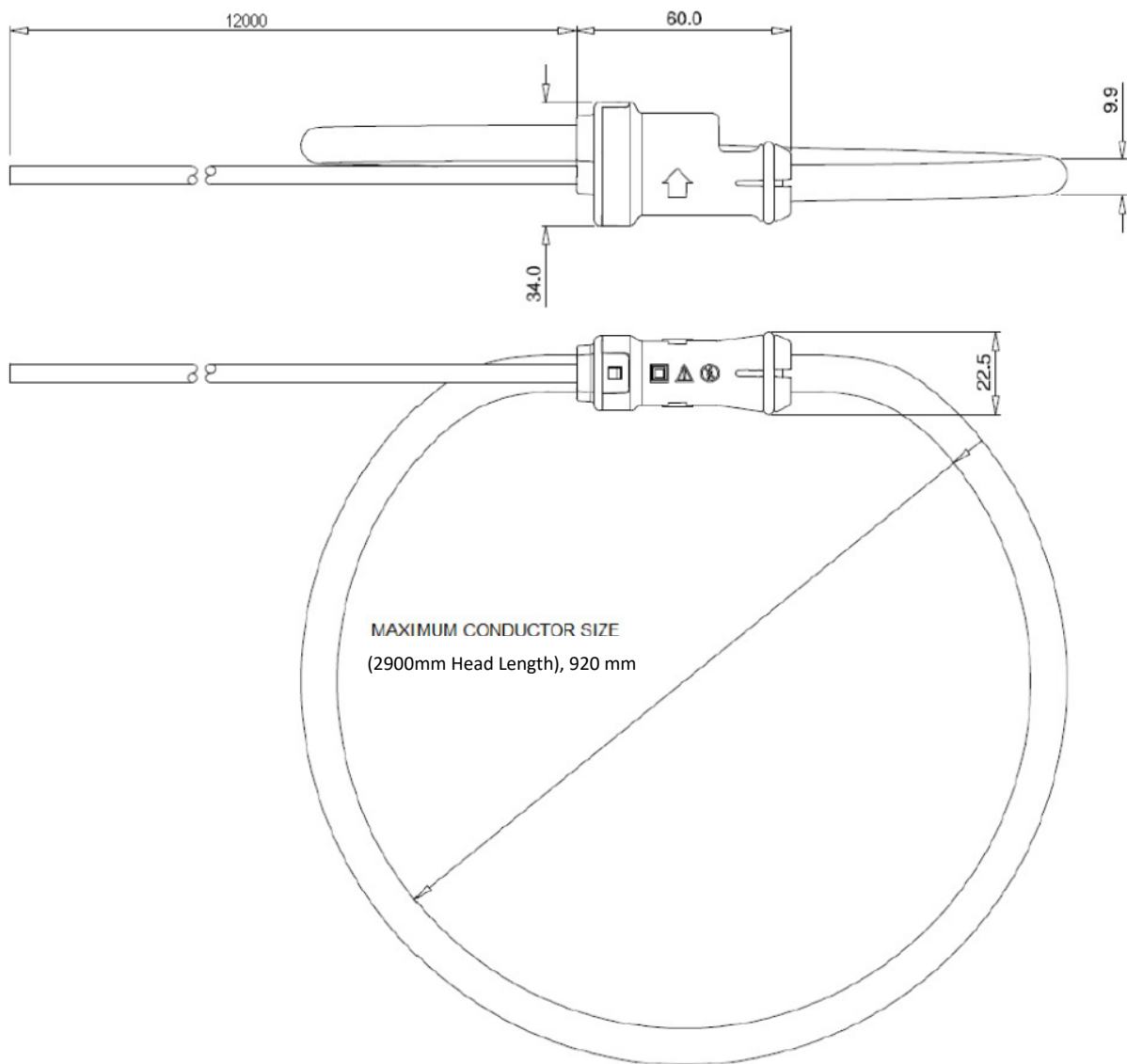
4. Security standard

61010-1,
IEC 60529

1000 V_{RMS} , CAT III
600 V_{RMS} , CAT IV

The use of Rogowski coils on **uninsulated conductors** is limited to 1000 V AC_{RMS} and frequencies up to 1 kHz.

5. Dimensions



We'll handle it.

6. Ordering information

FEATURE	IDENT no.
1 phase Rogowski coil ● 1 phase Rogowski coil, 1...3000A, 92cm, 15m connection cable	111.7087.05

A. Eberle GmbH & Co KG

Frankenstrasse 160D-90461 Nuremberg

Phone: +49 (0) 911 / 62 81 08-0

Fax: +49 (0) 911 / 62 81 08 96

E-mail: info@a-eberle.de

<http://www.a-eberle.de>

Version: 27.10.2021 11:54

Copyright 2021 by A. Eberle GmbH & Co. KG

Subject to change without notice.